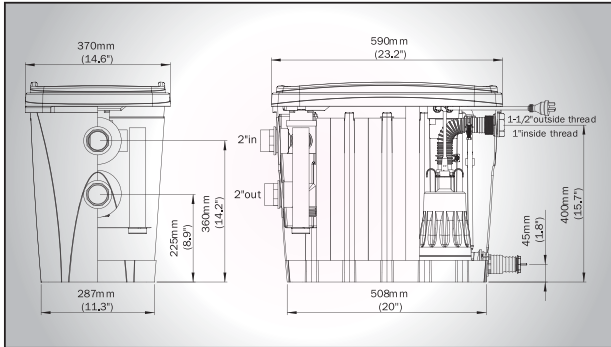
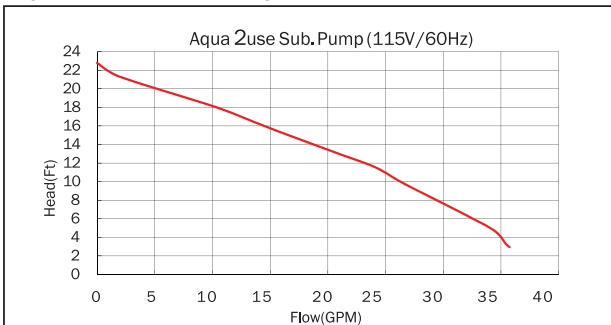


Aqua2use TECHNICAL SPECIFICATIONS

Aqua2use GWDD Dimensions:



Aqua2use GWDD Pump Performance Curve:



Aqua2use GWDD Pump Specifications:

Output			Rated		Maximum		Dimension	Weight
HP	W	inch	Head (Ft)	Flow (GPM)	Head (Ft)	Flow (GPM)	L x W x H (in)	Pounds
1/4	200	1-1/4"	16	14	23	36	6.1 x 6.1 x 9.45	9.26



POTENTIAL WATER REUSE OF 40,000 GALLONS ANNUALLY FOR AN AVERAGE FAMILY OF FOUR

Connection requirements

Power: 110v

Plumbing: 2" inlet and sewer connection

Outlet: Easy connection to 1/2" irrigation tube

Other features

Pump will only run when the tank is full or when activated by the timer - a very efficient system.

Can be disconnected when water is not required

Easy to clean - every 4 to 6 months

The pump and filters can handle water at elevated temperatures

The Aqua2use is UV resistant high grade polyethylene which will not break down in the sun

All parts and the pump are covered by a 12 month replacement warranty

AVAILABLE FROM



phone: 559-801-9504

info@livinggreendesignsolutions.com

INNOVATED & MANUFACTURED BY

Matala
"Make water alive"®

MATALA WATER TECHNOLOGY CO., LTD.

www.livinggreendesignsolutions.com

The Answer for Graywater Reuse



PATENTED

Aqua2use Graywater Diversion Device

Matala® 3D Progressive Filtration:
Technology proven in
more than 40 countries



Aqua2use GWDD

MATALA PROGRESSIVE FILTRATION TECHNOLOGY APPLIED IN GRAYWATER DIVERTER

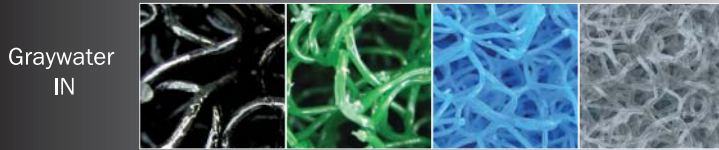


How it works:

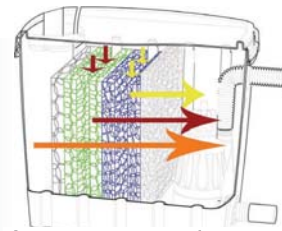
- Step 1** When the Matala GWDD valve is open, graywater flows directly to the mains sewage.
- Step 2** When the Matala GWDD valve is closed, graywater from the house is diverted to the inlet of the filter.
- Step 3** The graywater flows through the 1st filter web that retains major and medium particles such as hair, lint, paper, detergent clogs and other impurities. (The filter web: Matala Black - low density, Matala Green - medium density)
- Step 4** The graywater flows through the 2nd filter web that retains medium and small particles. (The filter web: Matala Green - medium density, Matala Blue - high density)
- Step 5** The graywater flows through the 3rd filter web that retains small and minor particles. (The filter web: Matala Blue - high density, Matala Gray - super high density)
- Step 6** Filtered graywater is pumped to the irrigation.

FEATURES & BENEFITS:

- State of the Art Progressive Filtration.
- 6.8 gallons of Matala filter media provides 108 sqft of specific surface area & 90% void space.
- Cross-Flow depth filtration: each filter web has a 3-dimensional structure, able to trap a high volume of impurities without plugging.
- Multichamber plug flow concept: If the first filter web gets clogged the filtration is done by the 2nd and 3rd filter web. If the second web gets clogged, the filtration is done by the 3rd filter web.
- Solid removal: up to 75% for pump operated unit, 90% for gravity unit.
- Submersible pump with integrated Electronic Pump Controller(EPC).
- The pump is protected from dry run, clogging and damage.
- Built in overflow safety.
- Easy to clean.
- System can be installed above ground, half-submerged in ground, or underground.
- Water mark approved.



Filtered water for lawn & garden OUT

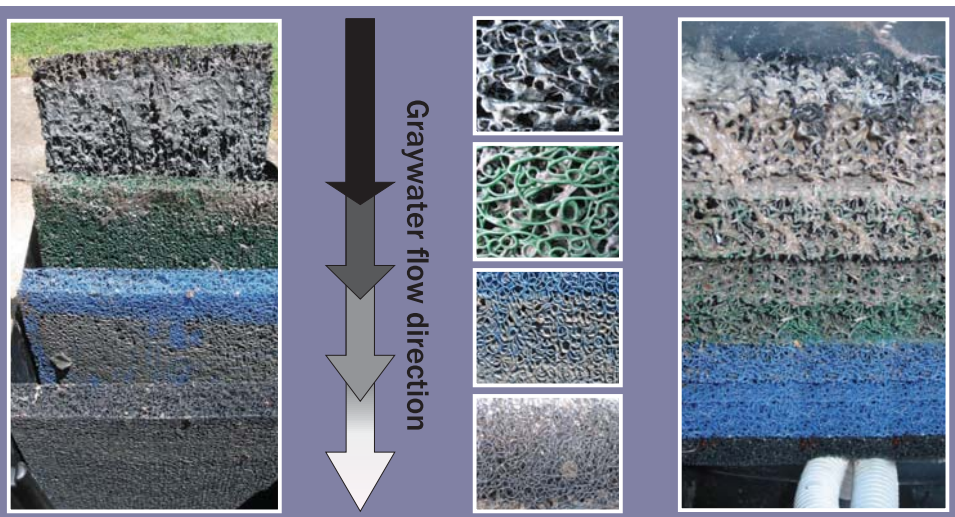


Cross-Flow depth filtration + Multichamber plug flow concept

Unit tested in an RV park, Australia:

Matala graywater diverter checked after filtering 40,000L (10,567 gallons) incoming graywater: public showers and laundry

The pictures prove the high filtration efficiency, achieved with progressive density Matala filter sheets. The filter can manage a huge volume of hair, lint, sand, soap residue etc....



Aqua2use GWDD Components

- a. Inlet(2")
- b. Diverting valve
- c. Outlet to sewer (2")
- d. Basket
- e. Overflow stand pipe
- f. Matala FSM190, Black
- g. Matala FSM290, Green
- h. Matala FSM365, Blue
- i. Matala FSM460, Grey
- j. Water pump
- k. Pump outlet
- l. Electronic pump controller
- m. Drain/clean out point with 1" plug
- n. Kinkfree hose + hose clamp
- o. Outlet connector
- p. Outlet
- q. Tank cover
- r. Tank
- s. Inlet cover
- t. Electrical pump lead

